

TeleBiz 70- 4K PTZ Video Camera

TeleBiz 70-4K is a professional grade 4K Ultra HD video camera, support IP, HDMI, SDI and USB3.0 simultaneously output with 35x optical zoom, ideal for broadcast level AV solution, high end video conferencing and video surveillance application.



Advantages

- Adopts most advanced DSP, 1/1.7 inch 12MP sensor;
- 4K wide angle optical lens: 35x optical zoom , 60 degree field of view;
- 4K video over IP, and support H.264, H.265 encoding;
- Support POE: easy to use one RJ45 cable to get video, control and power supply;
- IP, HDMI, SDI, USB outputs, fit for different application;
- Special Focusing Algorithm: fast and precise focusing performance when zooming or moving;
- Standard Sony Visca, Pelco-P, Pelco-D control protocol.;
- Supplied with functional IR remote controller, can set IP address via OSD menu;

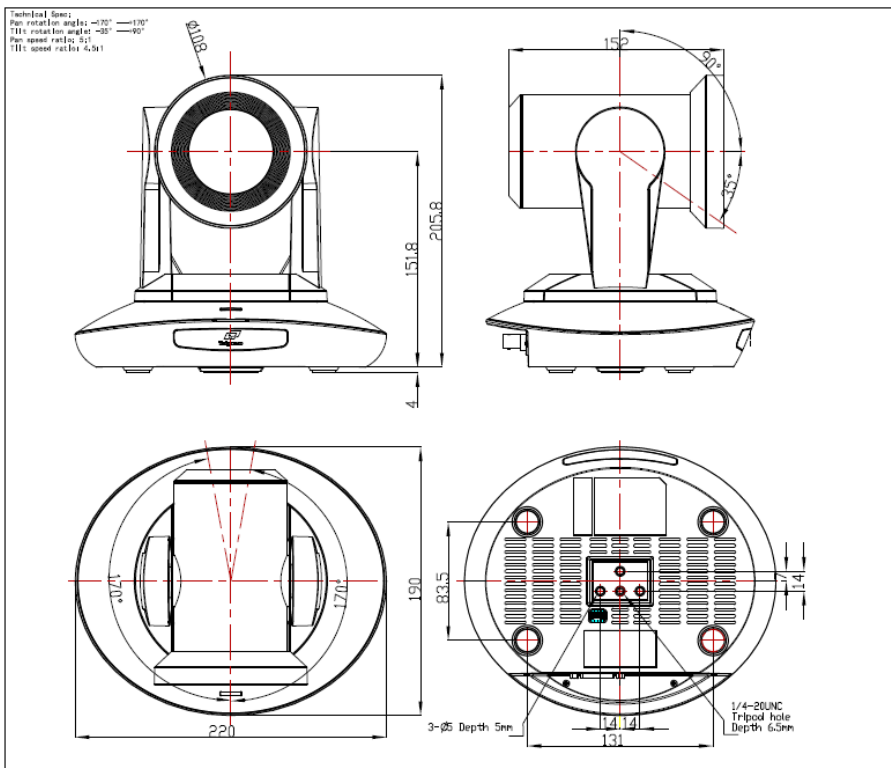
Features

- IP, HDMI, SDI and USB outputs simultaneously;
- 35x Optical Zoom + 2x Digital Zoom;
- 3840x2160 p30 Ultra HD video resolution;
- Automatic access to the IP address;
- Smooth PTZ mechanical design, accurate pan tilt motor control;
- WDR, 3D Noise Reduction feature;
- 128 presets;
- Support RS232/485 serial control;
- Image flip function, support upside-down installation;
- Sony Visca and Pelco P/D protocol;
- Support daisy chain feature;

Output Interface



Dimensional Drawing (mm)



Technical Spec

Model	TeleBiz 70 4K			
Sensor	1/1.7 inch, 12mega pixel high quality CMOS sensor			
	HDMI	IP	SDI	USB3.0

Video Format	3840x2160p30/25, 1080p60/50/30/25 , 720p60/50/30/25, 1080i60/50	<i>Main stream:</i> 3840x2160p30, 1920x1080p60, <i>Sub stream:</i> 1280x720,704x576 640x480,352x288	1080p60/50/30/2 5; 720p60/50/30/25 1080i60/50	1080p60/50/30/2 5
				720p60/50/30/25
				USB3.0&USB2.0
				1024x576p30 960x540p30 640x360p30 352x288p30
Zoom	35x optical zoom & 2x digital zoom			
FOV	2.02°(near)~60°(far)			
F.no.	Wide: 1.5 Tele: 4.8			
Min. Focus Distance	Wide: 0.3m Tele: 1.5m			
Preset	10 via remote controller; 128 via serial port; preset precision:0.1°			
Rotation Angle	Pan: -170° ~ +170°; Tilt: -30° ~ +90°			
Rotation Speed	Pan: 0°~120°/s ; Tilt: 0°~80°/s			
Control Port	RS232 / RS485/RJ45			
Video Port	HDMI/ RJ45/SDI/USB3.0/USB2.0			
Network Speed	1000M			
Noise Reduction	2D&3D			
SNR	>50dB			
Focal Length	f= 5.8(near)~203mm(far)			
Minimum Lux	0.01 lux			
White Balance	Auto / Manual/Auto Tracking/OnePush/Indoor/Outdoor/			
Anti Flicker	50Hz/60Hz/OFF			
D/N Mode	Supported			
Gamma	Supported			
Mirror Image	Supported			
PanTilt Flip	Supported			
Iris	Auto / Manual/			
Electric Shutter	Auto / Manual/			
BLC	Auto / Manual/			
Focus	Auto / Manual/			
Video Encoding	H.264/H.265			
Bit Rate Control	Variable Bit Rate, Constant Bit Rate			
Video Bit Rate	1024Kbps~30720Kbps			
Frames	50HZ:1fps~50fps 60HZ:1fps~60fps (3840x2160 max. 30fps)			
IP Protocol	TCP/IP, HTTP, RTSP, RTMP, Onvif, DHCP			
POE	Supported			
Input Voltage	DC12V, 2A			
Dimension	220mm×173mm×190mm			
Net Weight	1.25KGS (2.8LBS)			