

TeleBiz 3U2S- USB2.0 HD PTZ Video Camera



Advantages:

- Ultra crystal video: with Ambarella DSP 1/2.8 5MP sensor and high quality 12xlens
- Fast switching between different video formats: less than 1 second
- Fast and accurate focus performance
- Easy firmware upgrade-(field-upgradable):no need to open the camera housing
- Compatible with the majority of video conferencing software(UVC1.5 protocol standard)
- With powerful functional remote controller
- FECC(Far end camera control) feature
- Multi language OSD menu: supports English, Chinese, Russian, Spanish
- 2 years warranty

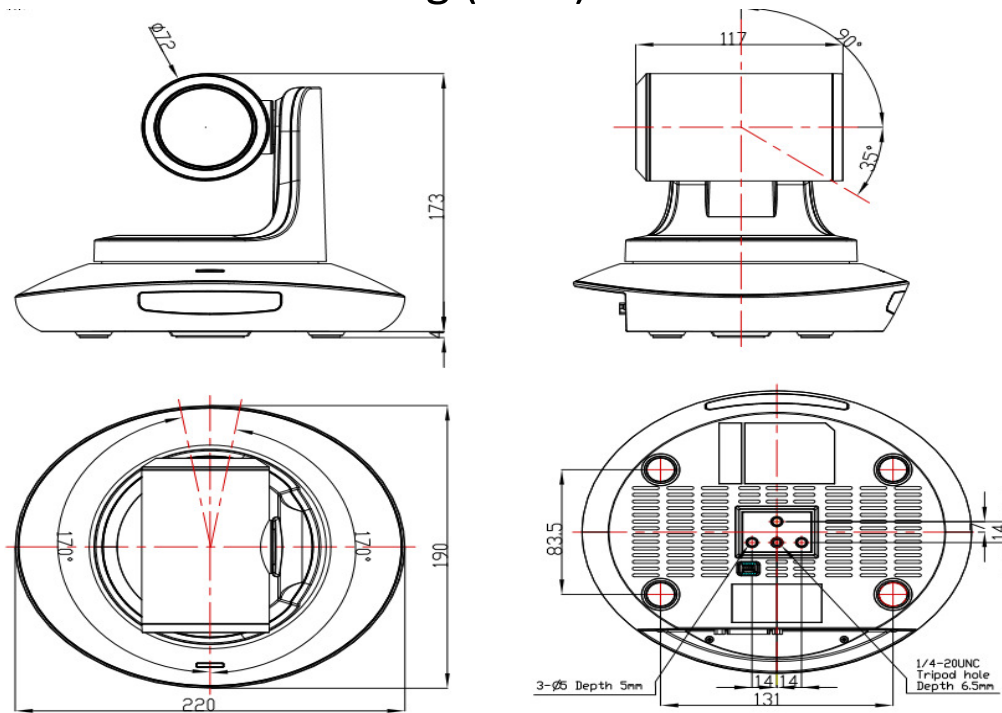
Features

- USB2.0 high speed output
- Zoom: 12X Optical Zoom+12Xdigital zoom
- 1920x1080p 30fps high resolution
- 72.5 Degree field of view:
- Ultra smooth PTZ mechanism
- Up to 128 presets
- Effective RS232/485 serial control
- WDR, 3D-noise reduction function
- Image flip function supports inverted installation
- Mounts: Wall mount and in-ceiling mount available
- Sony Visca and Pelco P/D protocol controls

Input/Output Interface



Dimensional Drawing (mm)



Technical specification

Model	
Sensor	1/2.8 inch high quality 5MP HD CMOS sensor
Video System	1080P 30fps(MJPG),backward compatible; 640x480 30fps(YUY2)
Zoom	12x optical zoom + 12xdigital zoom
View Angle	6.3° (wide) ~72.5° (tele)
Pan Rotation Angle	-170° ~ +170°
Tilt Rotation Angle	-30° ~ +90°
Pan rotation speed	0°~120°/s
Tilt rotation speed	0°~80°/s
Preset	128
Control port	RS232 / RS485/USB2.0
Video port	USB2.0
SNR	>50dB
Focal length	f= 3.92(wide)~47.32mm(tele)
Minimum Lux	0.01 lux
White Balance	Auto / Manual
Focus	Auto / Manual
Iris	Auto / Manual
Electronic Shutter	Auto / Manual
BLC	Auto / Manual
Input voltage	DC12V
Dimension (W x H x W)	220mm×173mm×117mm
Net Weight	1.25KG (2.8LBS)